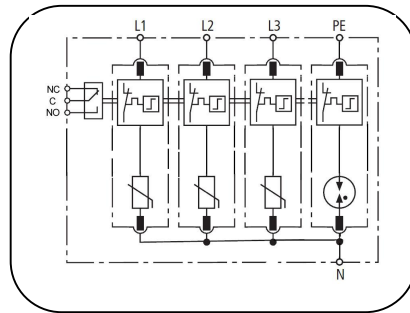
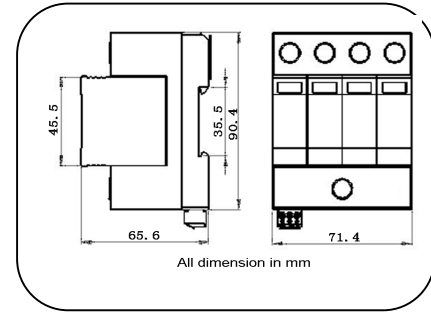


SURGE ARRESTERS – CLASS II

DT60/xxx-(3V+T)(-S)



Basic circuit diagram



Dimension drawing

Type 2 AC surge arrester designed for low-voltage power supply system protection against surges at the boundaries from lightning protection zone 1-2 and higher.

- Comply with IEC 61643-11, apply to TT and TN systems (“3+1” circuit).
- Pluggable design, 4 poles, easy replaced with any tools.
- High Discharge Capacity with 8/20 us waveform, I_{max} 60kA
- Visual status indication and remote signal contact available.

Part No.		DT60/150-(3V+T)(-S)	DT60/175-(3V+T)(-S)	DT60/275-(3V+T)(-S)	DT60/300-(3V+T)(-S)	DT60/320-(3V+T)(-S)	DT60/385-(3V+T)(-S)
In accordance with		IEC61643-11:2011; UL1449-4th					
Category IEC/VDE		II/ C					
Max. continuous operating voltage (AC/DC) U _c	L – N(AC/DC)	150 /200	175 /225	275 /350	300 /385	320 /420	385 /505
	N – PE (AC)	150	150	255	255	255	255
Nominal discharge current(8/20) I _n	L–N	30kA					
	N-PE	30kA					
Max. discharge current(8/20) I _{max}	L-N	60kA					
	N-PE	60kA					
Voltage protection level U _p	L–N@I _n	<0.8kV	<0.8kV	<1.3kV	<1.4kV	<1.5kV	<1.8kV
	L–N@VPR	<0.5kV	<0.6kV	<1.0kV	<1.0kV	<1.1kV	<1.3kV
	N–PE (1.2/50)	<0.8KV	<0.8KV	<1.5KV	<1.5KV	<1.5KV	<1.5KV
Response time	L-N	≤25 ns					
	N-PE	≤100 ns					
Follow current	L-N	No					
	N-PE	I _{fi} : 100Arms @ 255Vac					
Backup fuse(only required if not already provided in mains)		160A gL/gG					
Operating temperature range		- 40°C ~ + 80°C					
Cross-section of connection wire		Single-strand 35mm ² ; multi-strand 25mm ²					
Mounting		35mm DIN-rail in accordance with EN 50022/DIN46277-3					
Enclosure material		thermoplastic; extinguishing degree UL94 V-0					
Degree of protection		IP20					
Installation width		4 modules, DIN 43880					
Thermal disconnect		Internal green – normal ; red - failure					
Remote alarm contact		Optional					
Approvals, Certifications		CE					
Additional data for Remote Alarm Contacts							
Remote alarm contact type		Isolated Form C					
Switching capability U _n /I _n		AC: 250V/0.5A		DC: 250V/0.1A; 125V/0.2A; 75V/0.5A			
Max. Size of connecting wire		Max. 1.5mm ² (or # 16AWG)					